

## Certifications & Conformance

- **Conforms to ANSI Z87.1 – 2010:** Applicable to Practice for Occupational and Educational Eye and Face Protection, Welding Helmets.
- **Conforms to CE EN379:** Applicable to Specification for Welding Filters with Switchable Luminous Transmittance and Welding Filters with Dual Luminous Transmittance (variable shade).
- **Conforms to CE EN175:** Applicable to Personal Protection Equipment for Eye and Face Protection during Welding and Allied Processes.



### CARBON FIBER

Part No: WHF41001  
Stock No: 4100-1001



### PATRIOT EAGLE

Part No: WHE41002  
Stock No: 4100-1002



### CHOPPER RIDER

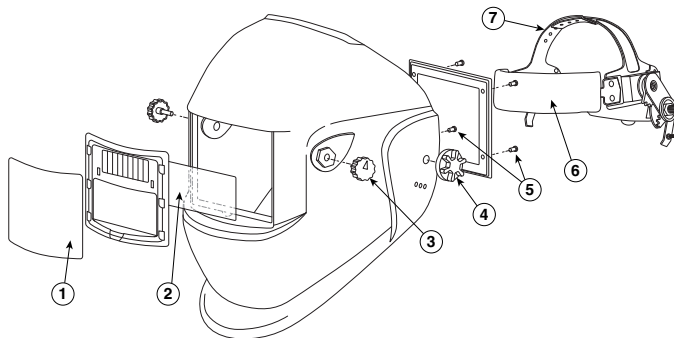
Part No: WHC41003  
Stock No: 4100-1003



### SKULL & FIRE

Part No: WHS41004  
Stock No: 4100-1004

## Replacement Parts



### PARTS LISTING

#	Part No.	Stock No.	Description
1	WH41001-FL	2089-1010	Front Cover Lens
2	WH41001-IL4	2089-1026	Inside Cover Lens
3	WH41001-KB	2089-1013	Shade/Sensitivity Knob
4	WH41001-BN	1089-1017	Headgear Knob
5	WH41001-FF	2089-1018	Filter Frame w/Screws
6	WH41001-HB	2089-1020	Headband
7	WH41001-HG	2089-1023	Headgear Assembly
NS	WH41001-HH	2089-1024	Hard Hat Fixtures
NS	WH41001-ML	2089-1025	Magnifying Lens Kit (2X Magnification)