



SG11TMSTD, 110 kN, Secure-Grip Flange Spreader Set, 90 mm Maximum Spread



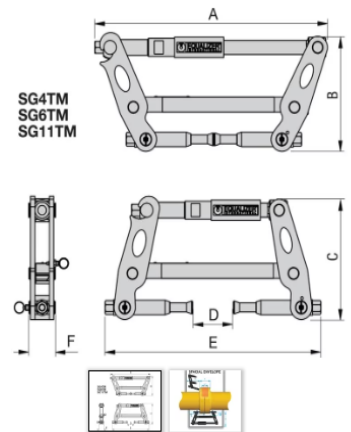
Description

Model: SG11TMSTD | ECCN: EAR99 | Harmonization: 8479899599
 Series: SG | Product Line: Bolting Tools

- The SG11TM secure grip bolt-hole spreader can be used on all flange types with bolt-hole sizes ranging from 30mm (1.18") to 39mm (1.54"). The collet holders are supplied with adjustable drive cones which can be adjusted outward from their central position allowing the tool to spread flanges apart and remove a spacer, wafer or butterfly valve. This mid-end, mechanical model offers up to 12.3 imperial tons (110 kN) of spreading force.
- Spreading force of 24.6 imperial tons (220 kN) if used in pairs as recommended.
- Set Includes:
 - 1 x SG11TM Tool
 - 1 x 150 mm (6") Vernier Calliper
 - 1 x 1/2" Drive Torque Wrench and 24 mm Socket
 - 1 x Safety Block
 - 2 x M30 (1 1/8") Collets
 - 2 x M33 (1 1/4") Collets
 - 2 x M36 (1 3/8") Collets
 - 1 x Instruction Manual
 - 1 x Carry Case with protective foam inserts
- Short Collet Holder Sets (SCH) are available which can offer improved range of application.
- Collet Holders can also be dismantled and inserted through bolt-holes from opposite side.

Specifications

Maximum Spread (mm)	90
Power Source	Mechanical
Maximum Operating Torque (Nm)	120
Capacity (metric tons)	11
Capacity (kN)	110
Flange Minimum Access Gap A (mm)	0
Flange Bolt-hole Diameter B (mm)	30-39
Tip Clearance (mm)	0
Usable on Flanges Specified to Accept the Following Bolt Sizes	M30, M33, M36, 1 1/8", 1 1/4", 1 3/8"
Weight (kg)	20



Dimensions

Dimension A (in)	20.3
Dimension A1, Minimum Axial Tool Space (for installation) (in)	8.8
Dimension A2, Minimum Axial Tool Space (installed) (in)	10.2
Dimension B (in)	9.8
Dimension C, Maximum Flange Clearance (in)	2.4
Dimension D (in)	3.5
Dimension E (in)	18.2
Dimension F (in)	2.4
Dimension F, Minimum Flange Joint Thickness (in)	3.8
Dimension F, Maximum Flange Joint Thickness (in)	9.4
Dimension R, Minimum Radial Space (in)	9.4
Dimension V, Minimum Valve/Spacer Thickness (in)	0
Dimension V, Maximum Valve/Spacer Thickness (in)	2.4
Case Dimensions (in)	25.2 x 21.3 x 6.5