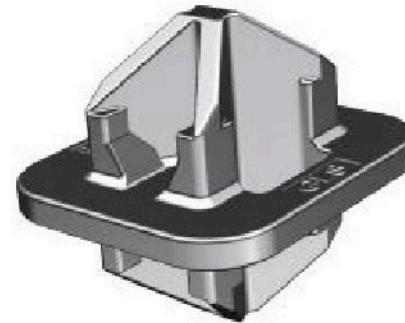
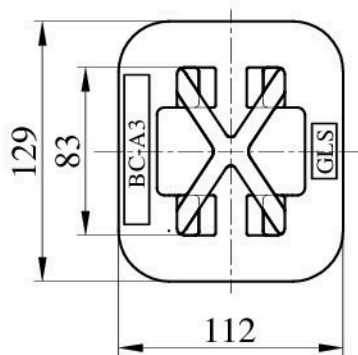
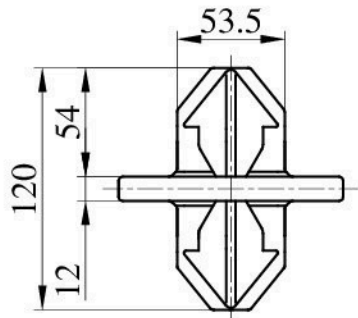


# SINGLE STACKING CONE

BC-A3



LOADS	SHEAR [KN]	TENSION [KN]
BREAKING LOAD	420	-
SAFE WORKING LOAD	210	-

TOTAL WEIGHT	2.2KG
MATERIAL	CASTING STEEL
FINISH	HOT DIP GALVANISED